

Reach truck 1.2 - 1.6 ton

BT reflex

N-series

RRE120M

RRE140M

RRE160M



Reach truck

Truck specifications					RRE120M	RRE140M	RRE160M
Identification	1.1	Manufacturer			BT	BT	BT
	1.2	Model			RRE120M	RRE140M	RRE160M
	1.3	Drive			Electric	Electric	Electric
	1.4	Operator type			Seated	Seated	Seated
	1.5	Load capacity/rated load	Q	kg	1200	1400	1600
	1.6	Load centre	c	mm	600	600	600
	1.8	Load distance, centre of support arm wheel to face of forks	x	mm	449	418	400
	1.9	Wheelbase	y	mm	1434	1434	1434
Weight	2.1	Service weight including battery		kg	2849	2974	3509
	2.3	Axle load, mast retracted without load, drive/support arm wheel		kg	1630/1219	1690/1284	2003/1506
	2.4	Axle load, mast extended with load, drive/support arm wheel		kg	719/3330	444/3930	424/4685
	2.5	Axle load, mast retracted with load, drive/support arm wheel		kg	1340/2709	1300/3074	1580/3529
Wheels	3.1	Drive/support arm wheel			Polyurethane	Polyurethane	Polyurethane
	3.2	Wheel size, front			Ø 285	Ø 285	Ø 285
	3.3	Wheel size, rear			Ø 310	Ø 310	Ø 310
	3.5	Wheels, number front/rear (x=driven wheels)			1x/2	1x/2	1x/2
Dimensions	4.1	Tilt of fork, forward/backward	α/β	deg	2°/-0.5°	4°/-2°	4°/-2°
	4.2	Height, mast lowered	h_1	mm	1930	2057	2190
	4.3	Free lift	h_2	mm	1457 ¹⁾	1416 ¹⁾	1549 ¹⁾
	4.4	Lift	h_3	mm	4110 ¹⁾	4360 ¹⁾	4760 ¹⁾
		Lift height	h_{23}	mm	4150 ¹⁾	4400 ¹⁾	4800 ¹⁾
	4.5	Height, mast extended	h_4	mm	4654 ¹⁾	5040 ¹⁾	5440 ¹⁾
	4.7	Height of overhead guard (cab)	h_6	mm	2166	2166	2166
	4.10	Height of support arms	h_8	mm	262	262	262
	4.15	Height of lowered forks	h_{13}	mm	40	40	40
	4.21	Overall width	b_1	mm	1120	1120	1120
	4.22	Fork dimensions	s/e/l	mm	40/100/1150*	40/100/1150*	40/100/1150*
	4.23	Fork carriage ISO 2328, class/type A, B			II A	II A	II A
	4.25	Width over forks	b_5	mm	250-720	250-720	250-720
	4.26	Distance between support arms	b_4	mm	880	880	880
	4.31	Ground clearance, with load, below mast	m_1	mm	70	70	70
	4.33	Aisle width for pallets 1000 x 1200 crossways	A_{st}	mm	2664	2685	2698
4.34	Aisle width for pallets 800 x 1200 lengthways	A_{st}	mm	2700	2727	2743	
4.35	Turning radius	W_a	mm	1649	1649	1649	
4.37	Length across support arms	l_7	mm	1808	1808	1808	
Performance data	5.1	Travel speed, with/without load		km/h	10,1/11,2	10,0/11,2	10,0/11,2
	5.2	Lift speed, with/without load		m/s	0,29/0,42	0,27/0,42	0,25/0,42
	5.3	Lowering speed, with/without load		m/s	0,47/0,47	0,50/0,44	0,50/0,44
	5.8	Max. gradeability, with/without load ²⁾		%	15/10 ²⁾	15/10 ²⁾	15/10 ²⁾
	5.10	Service brake			Electric	Electric	Electric
Electric motor	6.1	Drive motor rating S2 60 min		kW	7,5	7,5	7,5
	6.2	Lift motor rating S3 15%		kW	7,4	7,4	7,4
	6.4	Battery voltage, nominal capacity K_5		V/Ah	48/292-600	48/292-600	48/292-600
	6.5	Battery weight, min.		kg	510	510	510
	6.6	Energy consumption acc to VDI cycle ³⁾		kWh/h			
	Other	8.1	Type of drive control			Variable AC	Variable AC

1) Based on Triplex mast. Other alternatives are available

2) Measured according to company standard

3) Contact your supplier for information

*) Other alternatives are available

All data are based on table configuration. Other configurations may give other values.

Truck performance and dimensions are nominal and subject to tolerances.

BT products and specifications are subject to change without notice.

Battery compartment

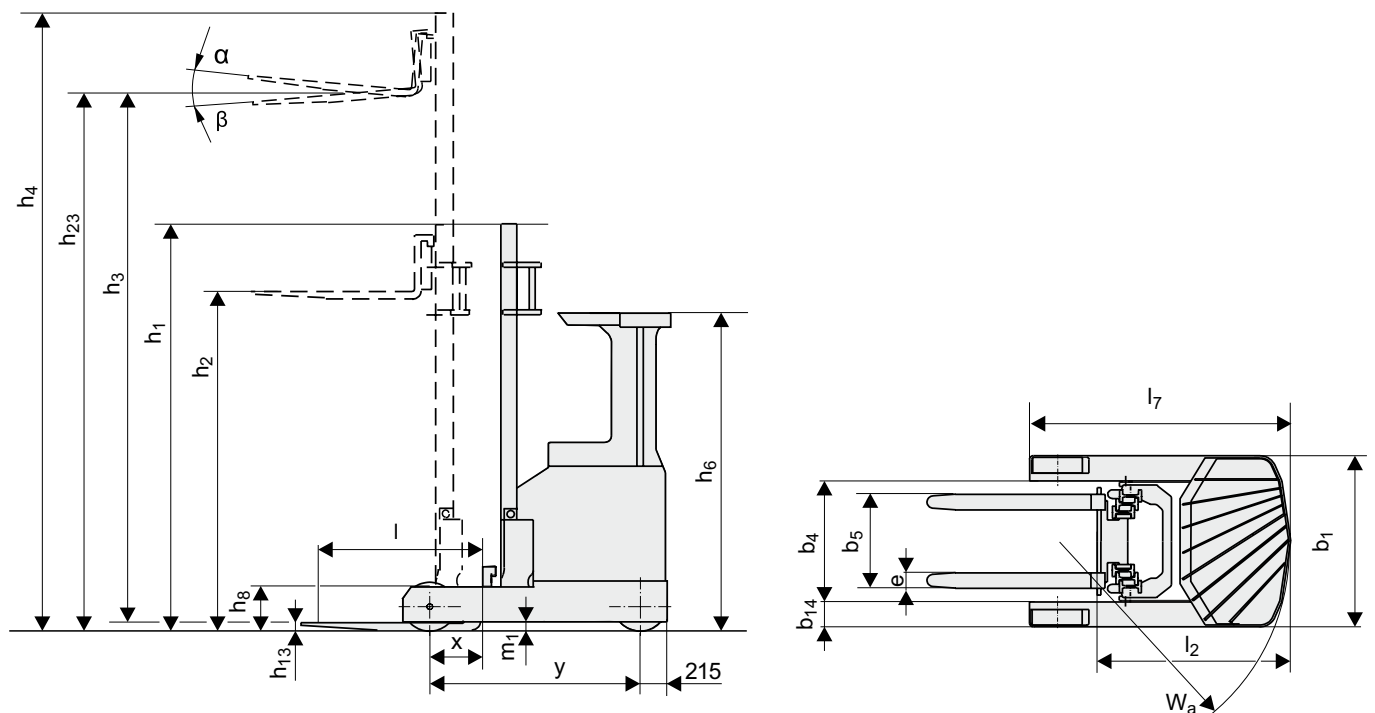
Dimensions				RRE120M			RRE140M			RRE160M			
Reflex	1.8	Depth	mm	275	340	430	275	340	430	275	340	430	
	1.8	Load distance, incl. fork front face ...without sideshift	x	mm	449	384	294	418	353	263	400	335	245
			x	mm	394	329	239	380	315	225	362	297	207
	4.20	Length to face of forks ...without sideshift	l_2	mm	1182	1247	1337	1231	1296	1386	1249	1314	1404
			l_2	mm	1237	1302	1392	1269	1334	1424	1287	1352	1442
	6.4	Battery voltage, nominal capacity K_5		V/Ah	48/292-300	48/360-450	48/480-600	48/292-300	48/360-450	48/480-600	48/292-300	48/360-450	48/480-600
6.5	Battery weight, min.—max.		kg	510-609	610-779	780-999	510-609	610-779	780-999	510-609	610-779	780-999	

Mast dimensions, mm

Mast				Duplex Tele			Duplex Hi-Lo			Triplex Hi-Lo				
	Lift height	h_{23}	mm	3350	3750	4150	3350	3750	4150	4150	4500	4800	5400	6000
	Lift	h_3	mm	3310	3710	4110	3310	3710	4110	4110	4460	4760	5360	5960
RRE120M	Height, mast lowered	h_1	mm	2194	2404	2604	2194	2404	2604	1930	2047	2147	2347	2647
	Free lift	h_2	mm	—	—	—	1725	1925	2125	1457	1574	1674	1874	2174
	Height, mast extended	h_4	mm	3849	4259	4659	3849	4259	4659	4654	5004	5304	5904	6504

Mast				Triplex Hi-Lo									
	Lift height	h_{23}	mm	4400	4800	5400	5700	6300	6750	7000	7500	8000	8500
	Lift	h_3	mm	4360	4760	5360	5660	6260	6710	6960	7460	7960	8460
RRE140M	Height, mast lowered	h_1	mm	2067	2200	2400	2500	2742	2991	3074	3241	3408	3574
	Free lift	h_2	mm	1416	1549	1749	1849	2091	2340	2423	2590	2757	2923
	Height, mast extended	h_4	mm	5050	5450	6050	6350	6950	7400	7650	8150	8650	9150

Mast				Triplex Hi-Lo									
	Lift height	h_{23}	mm	4400	4800	5400	5700	6300	6750	7000	7500	8000	8500
	Lift	h_3	mm	4360	4760	5360	5660	6260	6710	6960	7460	7960	8460
RRE160M	Height, mast lowered	h_1	mm	2067	2200	2400	2500	2742	2991	3074	3241	3408	3574
	Free lift	h_2	mm	1416	1549	1749	1849	2091	2340	2423	2590	2757	2923
	Height, mast extended	h_4	mm	5050	5450	6050	6350	6950	7400	7650	8150	8650	9150



Truck features:

- Adjustable fork width
- Tilting forks
- Choice of cab widths
- Fingertip controls
- 360° steering
- BT Access Control
- Clear-view mast
- Clear-view overhead guard
- Adjustable pedals
- On-board data terminal mount (E-bar)

