

# Pedestrian lowlifter truck 1.3 ton

**BT levio**

*W-series*

LWE130



# Pedestrian lowlifter

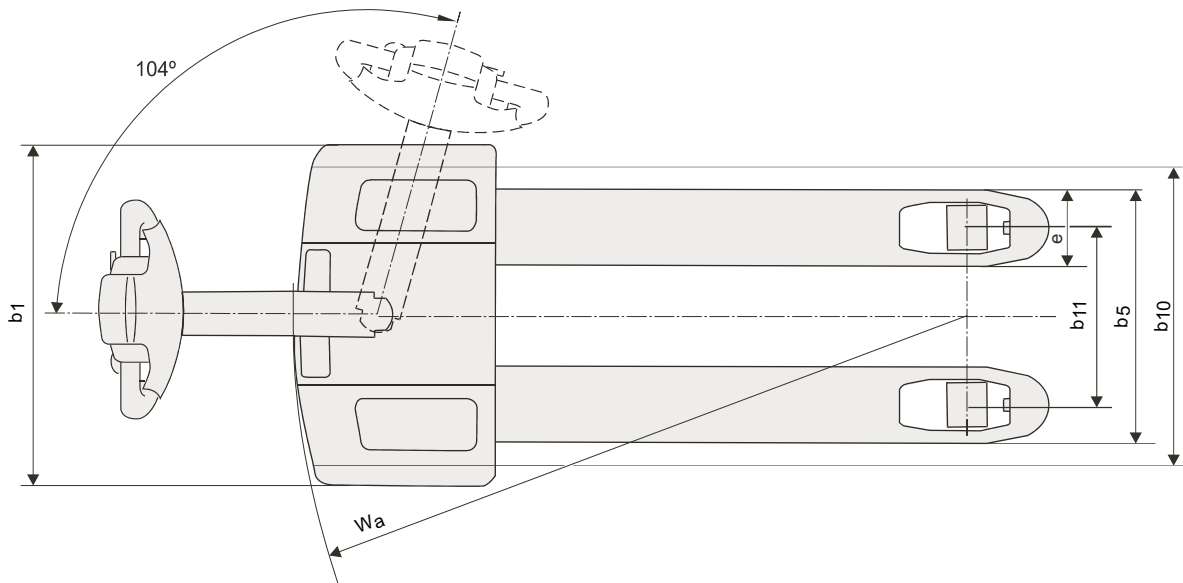
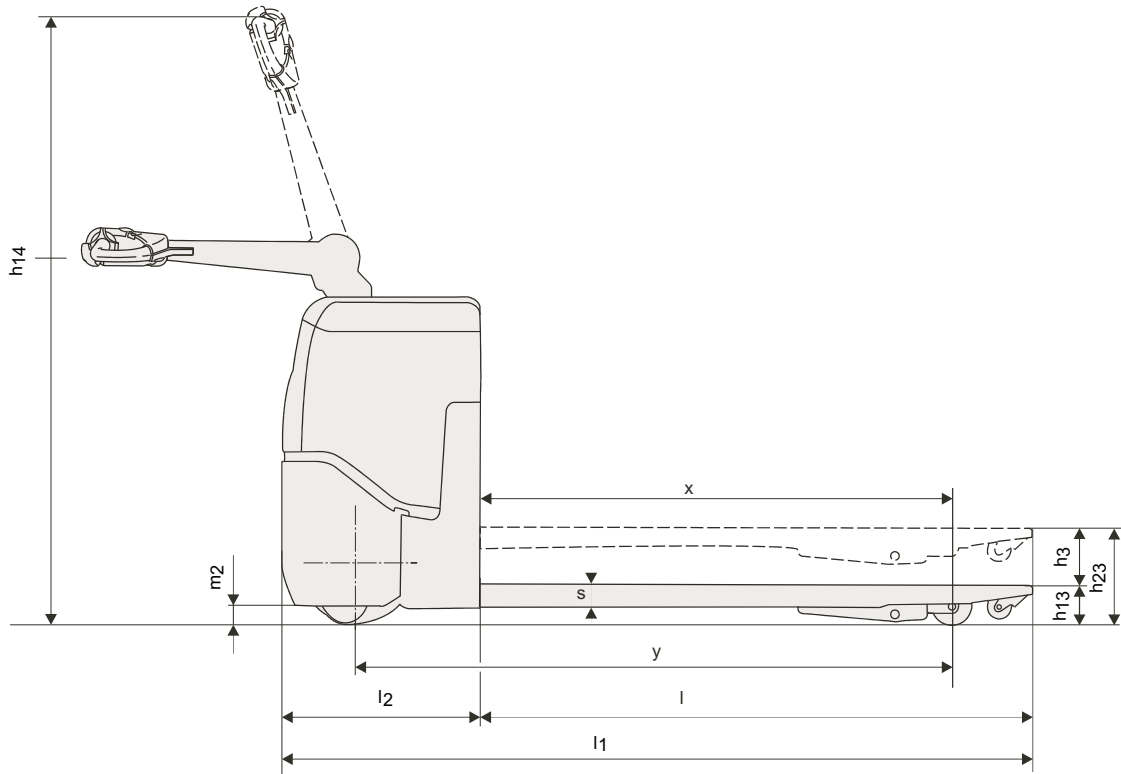
Specification for lowlifter trucks					LWE 130
Identification	1.1	Manufacturer			BT
	1.2	Model			LWE 130
	1.3	Drive			Electric
	1.4	Operator type			Pedestrian
	1.5	Load capacity/rated load	Q	kg	1300
	1.6	Load centre	c	mm	600
	1.8	Load distance, centre of support arm wheel to face of forks	x	mm	937
	1.9	Wheelbase	y	mm	1199
	Weight	2.1	Service weight including battery		kg
2.2		Axle load, with load, drive/castor/fork wheel		kg	535/77/943
2.3		Axle load, without load, drive/castor/fork wheel		kg	148/76/31
Wheels	3.1	Drive/castor/fork wheel			PU/PU/PU
	3.2	Wheel size, front		mm	Ø250x60
	3.3	Wheel size, rear		mm	Ø85
	3.4	Additional wheels (dimensions)		mm	Ø100x40
	3.5	Wheels, number front/rear (x=driven wheels)			2-1x/2
	3.6	Track width, front	b <sub>10</sub>	mm	480
	3.7	Track width, rear	b <sub>11</sub>	mm	364
Dimensions	4.4	Lift	h <sub>3</sub>	mm	120
		Lift height	h <sub>23</sub>	mm	205
	4.9	Height of tiller in drive position, min./max.	h <sub>14</sub>	mm	788/1270
	4.15	Height, fork lowered	h <sub>13</sub>	mm	85
	4.19	Overall length	l <sub>1</sub>	mm	1570
	4.20	Length to face of forks	l <sub>2</sub>	mm	420
	4.21	Overall width	b <sub>1</sub>	mm	700
	4.22	Fork dimensions	s/e/l	mm	76/156/1150
	4.25	Width over forks	b <sub>5</sub>	mm	520
	4.32	Ground clearance, centre of wheelbase	m <sub>2</sub>	mm	34
	4.33	Aisle width for pallets 1000x1200 crossways	A <sub>st</sub>	mm	1673
4.34	Aisle width for pallets 800x1200 lengthways	A <sub>st</sub>	mm	1873	
4.35	Turning radius	W <sub>a</sub>	mm	1410	
Performance data	5.1	Travel speed, with/without load		km/h	4/5,5
	5.2	Lift speed, with/without load		m/s	0,04/0,07
	5.3	Lowering speed, with/without load		m/s	0,04/0,04
	5.8	Max. gradeability, with/without load		%	5/10 <sup>1)</sup>
	5.10	Service brake			Electromagnetic
Electric motor	6.1	Drive motor rating S2 60 min		kW	0,5
	6.2	Lift motor rating at S3 15%		kW	1,2 <sup>2)</sup>
	6.4	Battery voltage/nominal capacity K <sub>s</sub>		V/Ah	2x12/63
	6.5	Battery weight		kg	2x23
	Others	8.1	Type of drive control		
8.4		Sound level at the driver's ear according to EN 12 053		dB(A)	66

1) Measured according to company standard

2) S3 4.5%

Truck performance and dimensions are nominal and subject to tolerances.

BT Products AB products and specifications are subject to change without notice.



---

## Truck features:

- Compact and easy to manoeuvre
- Castor link system
- Maintenance free batteries
- Built in charger

