

# Pedestrian stacker truck 2.0 ton

**BT staxio**

*W-series*

SWE200D



# Pedestrian stacker double stacking

Specification for stacker trucks					SWE200D
Identification	1.1	Manufacturer			BT
	1.2	Model			SWE200D
	1.3	Drive			Electric
	1.4	Operator type			Pedestrian
	1.5	Load capacity/rated load	Q	kg	1000
		Support arm capacity/fork and support arm capacity	Q	kg	2000/800+1200
	1.6	Load centre	c	mm	600
	1.8	Load distance, centre of support arm wheel to face of forks	x	mm	873
	1.9	Wheelbase	y	mm	1483
Weight	2.1	Service weight including battery		kg	879
	2.2	Axle load, with load, drive/castor/support arm wheel		kg	570/360/1155
	2.3	Axle load, without load, drive/castor/support arm wheel		kg	570/100/215
Wheels	3.1	Drive/castor/support arm wheel			Friction/Vulkollan/Vulkollan
	3.2	Wheel size, front		mm	Ø230x70
	3.3	Wheel size, rear		mm	Ø85x74
	3.4	Additional wheels (dimensions)		mm	Ø125x50
	3.5	Wheels, number front/rear (x=driven wheels)			1x+2/4
	3.6	Track width, front	b <sub>10</sub>	mm	550
	3.7	Track width, rear	b <sub>11</sub>	mm	390
Dimensions	4.2	Height, mast lowered	h <sub>1</sub>	mm	1535 *)
	4.3	Free lift	h <sub>2</sub>	mm	166 *)
	4.4	Lift	h <sub>3</sub>	mm	2010 *)
		Lift height	h <sub>23</sub>	mm	2100 *)
	4.5	Height, mast extended	h <sub>4</sub>	mm	2520 *)
	4.6	Initial lift	h <sub>5</sub>	mm	120
	4.8	Stand height (optional platform)	h <sub>7</sub>	mm	150
	4.9	Height of tiller in drive position, min./max.	h <sub>14</sub>	mm	865/1235
	4.15	Height, fork lowered	h <sub>13</sub>	mm	90
	4.19	Overall length	l <sub>1</sub>	mm	1910
	4.20	Length to face of forks	l <sub>2</sub>	mm	760
	4.21	Overall width	b <sub>1</sub>	mm	770
	4.22	Fork dimensions	s/e/l	mm	60/180/1150 *)
	4.24	Fork-carriage width	b <sub>3</sub>	mm	674
	4.25	Width over forks	b <sub>5</sub>	mm	570 *)
	4.31	Ground clearance, with load, below mast	m <sub>1</sub>	mm	22
	4.32	Ground clearance, centre of wheelbase	m <sub>2</sub>	mm	22
4.33	Aisle width for pallets 1000 x 1200 crossways	A <sub>st</sub>	mm	2448	
4.34	Aisle width for pallets 800 x 1200 lengthways	A <sub>st</sub>	mm	2355	
4.35	Turning radius	W <sub>a</sub>	mm	1633	
Performance data	5.1	Travel speed, with/without load		km/h	6/6
	5.2	Lift speed, with/without load		m/s	0.14/0.27
	5.3	Lowering speed, with/without load		m/s	0.38/0.32
	5.8	Max. gradeability, with/without load		%	8/12 <sup>1)</sup>
	5.10	Service brake			Electromagnetic
Electric motor	6.1	Drive motor rating S2 60 min		kW	1.5
	6.2	Lift motor rating at S3 15%		kW	2.2 <sup>2)</sup>
	6.4	Battery voltage/nominal capacity K <sub>s</sub>		V/Ah	24/225 *)
	6.5	Battery weight		kg	219 *)
Others	8.1	Type of drive control			BT Powerdrive

<sup>1)</sup> Measured according to company standard

<sup>2)</sup> S3 6%

\*) Further alternatives are available and will produce other values.

Data is based on standard configurations: h<sub>23</sub> = 2100 mm Duplex Tele Panoramic View mast.

Truck performance and dimensions are nominal and subject to tolerances.

BT Products AB products and specifications are subject to change without notice

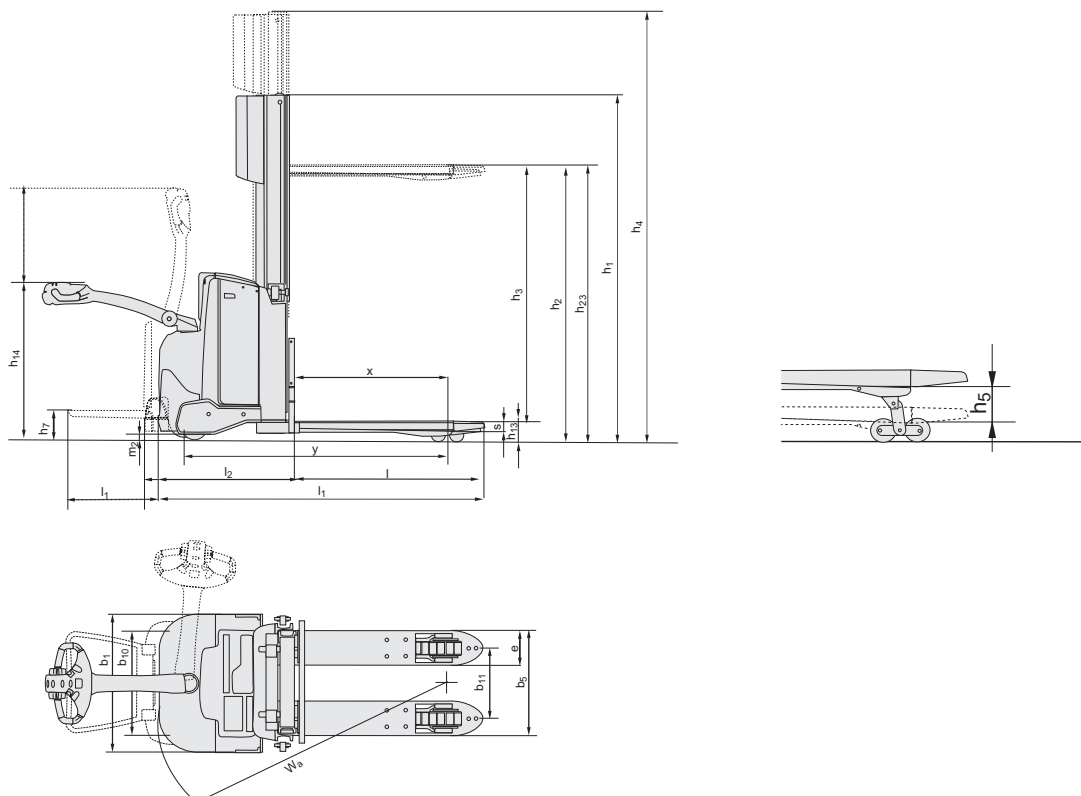
# Battery dependent dimensions

# BT staxio

Dimensions		Battery change		SWE200D		
				Lift out		Sideways
		Battery compartment		Medium	Large	Large
1.9	Wheelbase	y	mm	1483	1533	1533
4.19	Overall length	l <sub>1</sub>	mm	1910	1960	1960
	without platform		mm	1995/2385	2045/2435	2045/2435
4.20	Length to face of forks	l <sub>2</sub>	mm	760	810	810
	without platform		mm	853/1243	853/1243	853/1243
4.33	Aisle width for pallets 1000x1200 crossways	A <sub>st</sub>	mm	2448	2498	2498
	without platform		mm	2533/2933	2583/2983	2586/2983
4.34	Aisle width for pallets 800x1200 lengthways	A <sub>st</sub>	mm	2355	2405	2405
	without platform		mm	2440/2840	2490/2890	2490/2890
4.35	Turning radius	W <sub>a</sub>	mm	1633	1683	1683
	without platform		mm	1718/2118	1768/2168	1768/2168
6.4	Battery voltage, nominal capacity K <sub>5</sub>		V/Ah	24/225	24/300	24/260
6.5	Battery weight, min.—max.		kg	189—250	230—280	209—250

# Mast dimensions

SWE200D			Duplex Tele			Dupl. Tele Panoram. View		
h <sub>23</sub>	Lift height (h <sub>13</sub> +h <sub>3</sub> )	mm	1700	1900	2100	1700	1900	2100
h <sub>3</sub>	Lift	mm	1610	1810	2010	1610	1810	2010
h <sub>1</sub>	Height, mast lowered	mm	1340	1440	1540	1335	1435	1535
h <sub>2</sub>	Free lift, ground to top of forks	mm	166	166	166	166	166	166
h <sub>4</sub>	Height, mast extended	mm	2125	2325	2525	2120	2320	2520



---

## Truck features:

- BT Powerdrive System
- Fingertip controls
- Electronic braking system
- Electronic speed control
- Operator safety
- Storage compartments
- Automatic switch-off
- Click-2-creep
- Programmable performance
- Easy access for maintenance
- Built in charger (option)
- Sensilift (option)
- Flip-up operator platform (option)
- Toyota I\_site: truck fleet management system (option)
- Hydraulic oil for low temperatures (option)

